

# theLeda B sensor WH

Item no.: 9080041

**theben**

## Accessories

### Sensor technology

## Description

---

- theLeda B motion detector module
- 180° detection angle at 12 m range
- Additional light switch output, 400 W LED
- Function setting via potentiometer for lux, time and sensitivity settings
- Twilight mode
- Protection rating IP 65



## Connection example

---

Subject to technical changes and misprints

additional information at: [www.theben.de/product/9080041](http://www.theben.de/product/9080041)

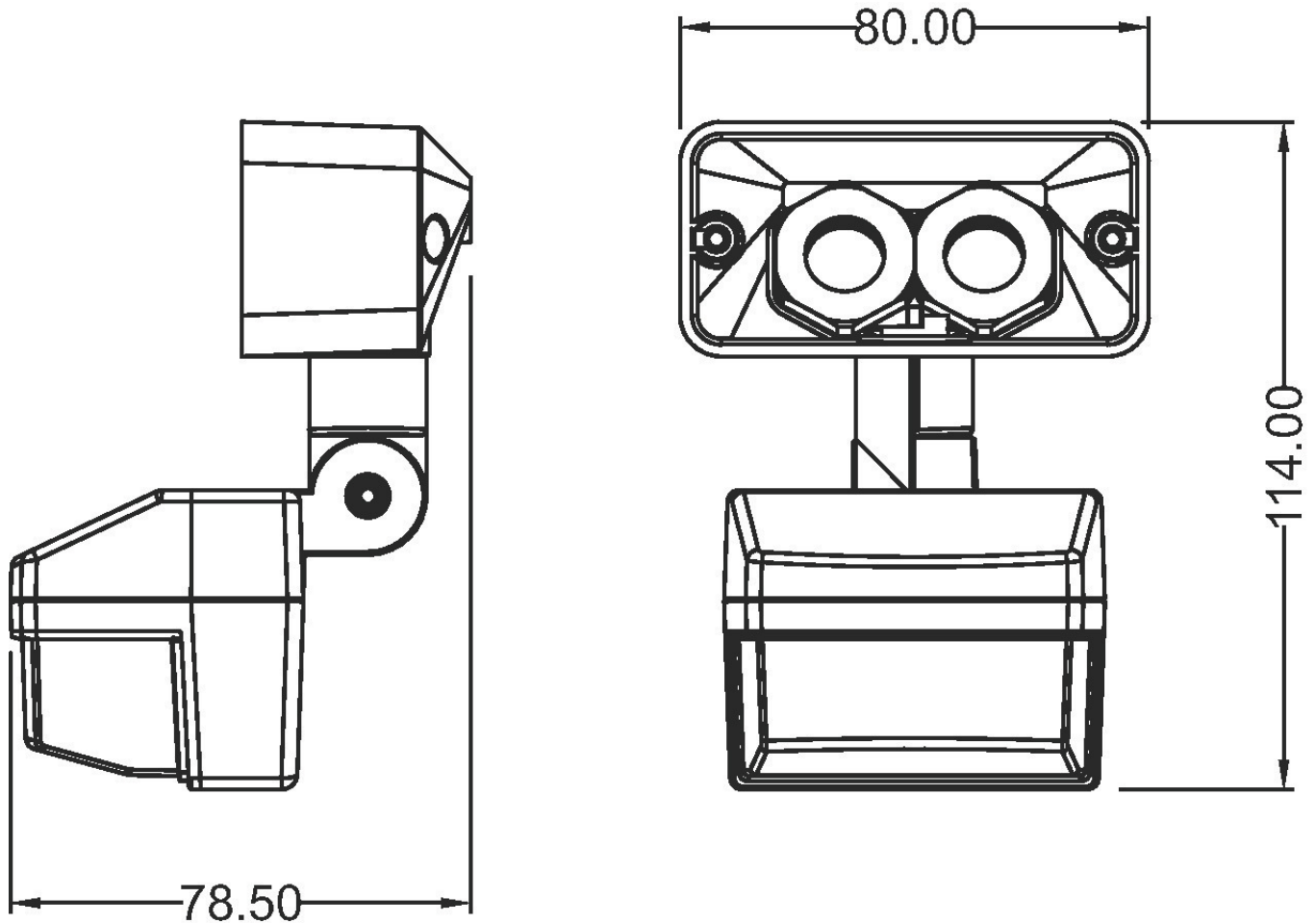
The load data are determined with exemplary selected illuminants and are therefore typical data due to the large number of available products.

# theLeda B sensor WH

Item no.: 9080041



## Scale drawings



Subject to technical changes and misprints

additional information at: [www.theben.de/product/9080041](http://www.theben.de/product/9080041)

The load data are determined with exemplary selected illuminants and are therefore typical data due to the large number of available products.

12/11/2025

Page 2 of 2