

theLeda B20 dual WH

Item no.: 1020672

theben

LED spotlights
LED light without motion detector

Description

- LED spotlight 20 W
- Colour temperature 3000 or 4000 K, switchable
- Suitable for outdoor use
- Flexible extension options thanks to optional module with motion detector
- Not dimmable

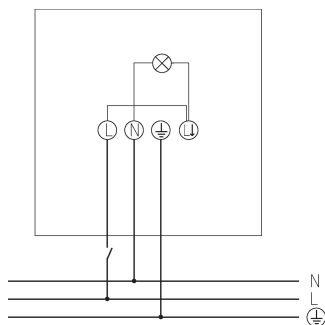


Technical data

theLeda B20 dual WH	
Operating voltage	230 V AC
Frequency	50 Hz
Colour	White (similar RAL 9016)
Installation type	Wall installation, Outdoor
LED output (lighting current)	2850 lm
Colour temperature	3000/4000 K, switchable
Colour rendering index	> 80

theLeda B20 dual WH	
Service life	L80/B10/40.000 h
Installation height	2 - 4 m
Ambient temperature	-20°C ... 40°C
Protection class	I
Type of protection	IP 65

Connection example



Subject to technical changes and misprints

additional information at: www.theben.de/product/1020672

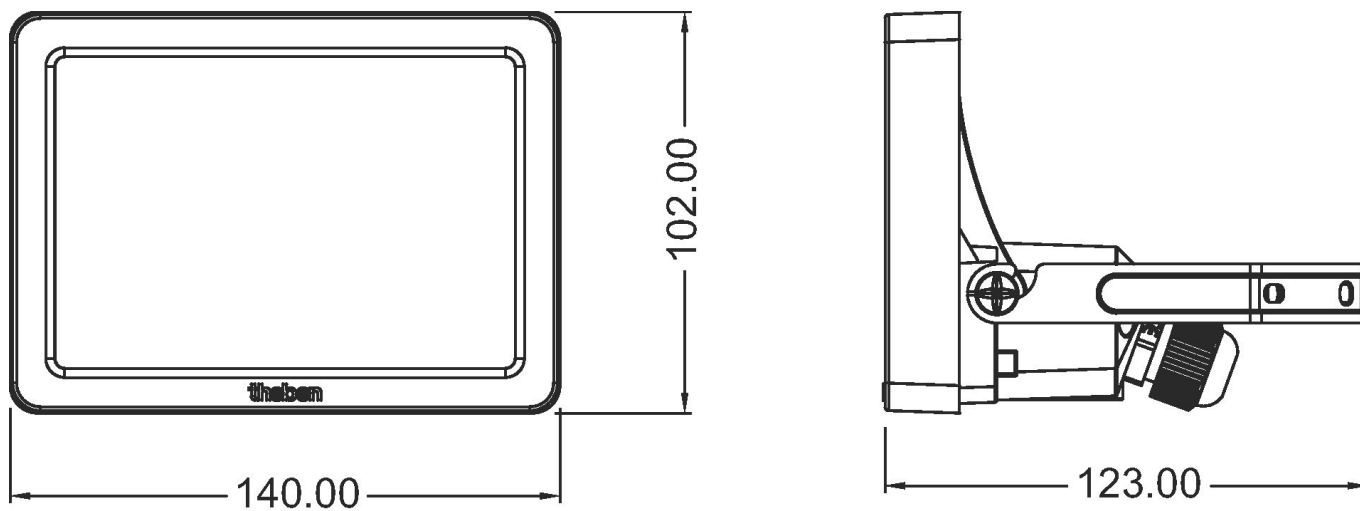
The load data are determined with exemplary selected illuminants and are therefore typical data due to the large number of available products.

theLeda B20 dual WH

Item no.: 1020672

theben

Scale drawings



Accessories

theLeda B sensor WH

Item no.: 9080041



Subject to technical changes and misprints

additional information at: www.theben.de/product/1020672

The load data are determined with exemplary selected illuminants and are therefore typical data due to the large number of available products.

06/11/2025

Page 2 of 2